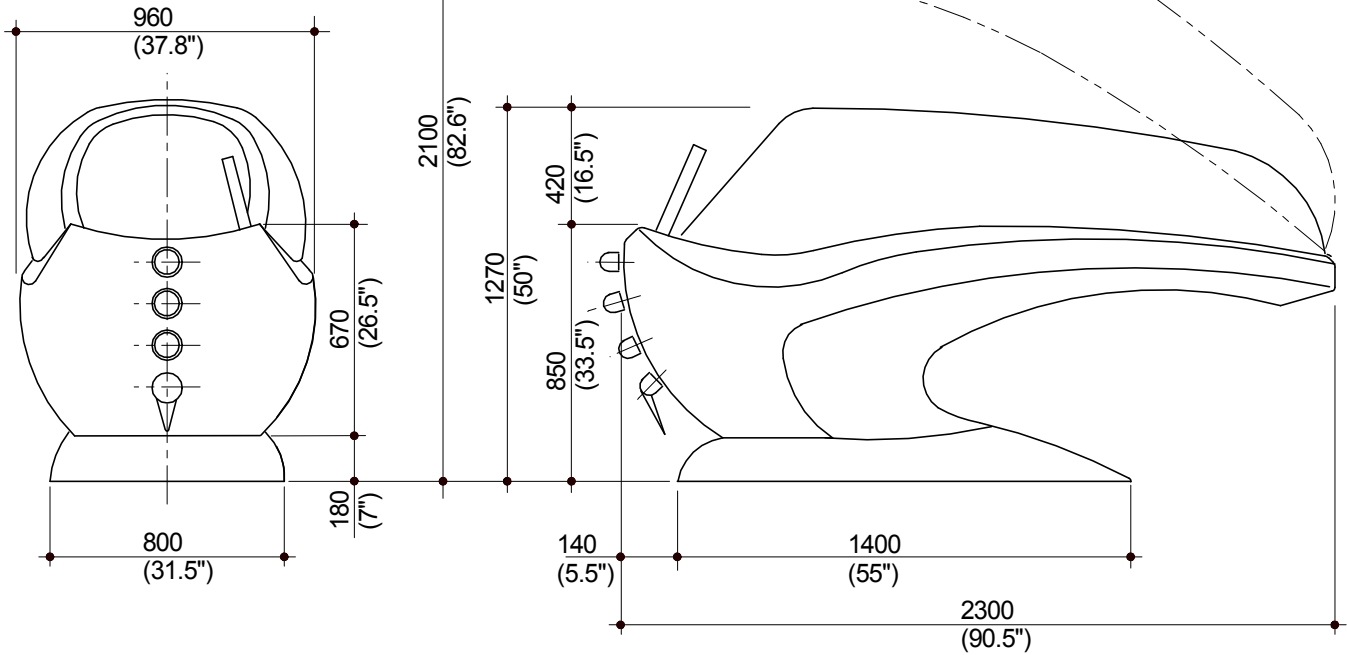


NOTE: LID IS REMOVABLE TO ASSIST WITH ACCESS DURING INSTALLATION.
BASE IS SUPPLIED REMOVED TO ASSIST WITH ACCESS DURING INSTALLATION.



LEGEND:

- ⊕ TUB DRAIN CONNECTION
- ⊕ ROOM FLOOR DRAIN
- HOT WATER CONNECTION
- ◐ COLD WATER CONNECTION

SERVICES REQUIRED:

- 15mm (1/2") HOT & COLD WATER SUPPLY LINES WITH ISOLATION VALVES. PRESSURE 3 - 7 BAR (43 - 100 PSI)
- 50mm (2") FLOOR DRAIN - CONNECTED TO 40mm (1 1/2") TIME DRAIN.
- 50mm (2") FLOOR DRAIN - FOR ROOM.

HYDROCO (AUST) PTY LTD

SEAFORD VICTORIA AUSTRALIA

ph.+61 3 8770 4000

www.hydroco.com

fax.+61 3 9773 6122

TIME - CAPSULE

WITH OUT ELECTRICS

DRG No.T-INST-002